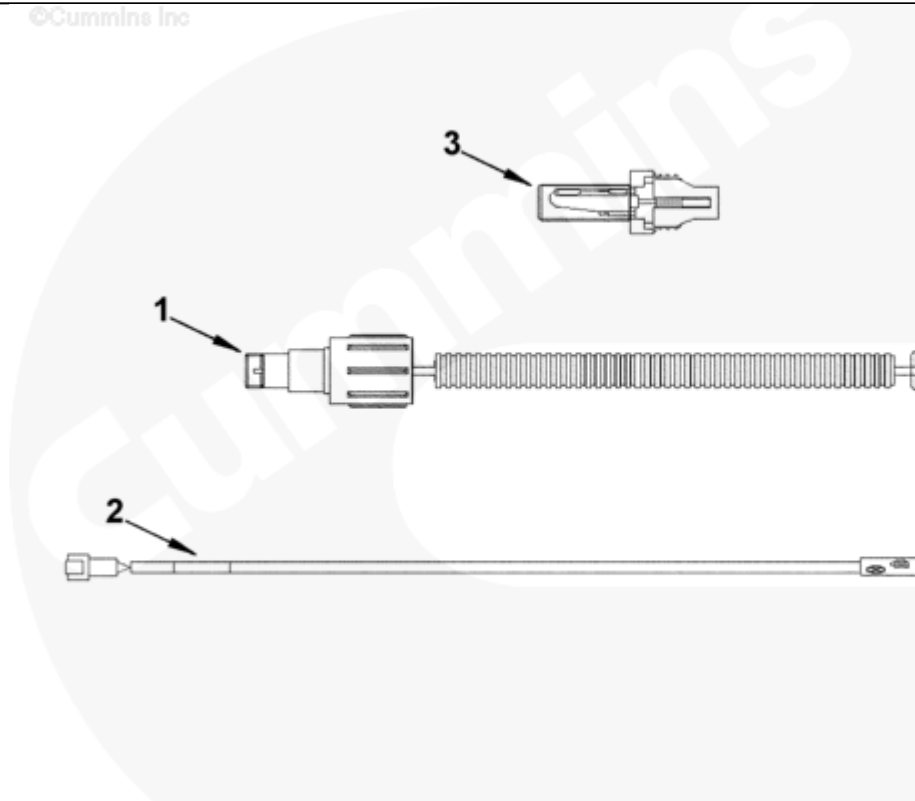




Parts Catalog - Option Detail

Electronic Parts Catalog - Option Detail				
Option	Group	Graphic	Film Card	Date
FS9820	05.19	fs957gz	Z	05-JAN-04
Engines	6C8.3, C GAS PLUS CM556, G8.3, G8.3 CM558, GTA8.3 CM558, ISC CM2150, ISC CM554, ISC CM850, ISC8.3 CM2250, ISC8.3 G CM2180 C101, ISL CM2150, ISL CM554, ISL CM850, ISL G CM2180, ISL8.9 CM2150 L110, ISL8.9 CM2880 L112, ISL9 CM2150 SN, ISL9 CM2250, ISL9 CM2350 L101, ISL9 CM2350 L111, ISLE4 CM850, L GAS PLUS CM556, L8.9, L8.9 L121, L8.9G CMOH2.0 L125B, L9 CM2350 L116B, L9 CM2350 L119B, L9 CM2350 L120C, L9 CM2350 L123B, L9.3 L105, L9.5 L117, L9N CM2380 L124B, QSC8.3 CM2250, QSC8.3 CM2880 C102, QSC8.3 CM554, QSC8.3 CM850(CM2850), QSL9 CM2250, QSL9 CM2250 L115, QSL9 CM2350 L102, QSL9 CM2350 L107, QSL9 CM2350 L118, QSL9 CM2350 L122, QSL9 CM554, QSL9 CM850(CM2850), QSL9 G CM558, QSL9 M CM2250 L106, QSL9.3 CM2880 L113			

©Cummins Inc



fs957gz

[SMALL](#) | [MEDIUM](#) | [LARGE](#)

Cart	Ref No	Part Number	Part Description	Required	Remarks
View My Cart					
		FS9820	Fuel System Accessories		MR - ACCESSORY, FUEL SYSTEM...(More)
					One WIF Sensor, Harness and
					Resistor
					Element Type: Customer

					Supplied element
					Element Style: N/A
					Drain Provision: N/A
					Fuel Heater Voltage: N/A
					Water Separator Provision:
					Customer Supplied
					Water In Fuel Sensor (WIF)
					Provision: Yes
					Water In Fuel Sensor (WIF)
					Harness Provided: Yes
					Location: Off Engine,
					Customer Mounted
					Absolute Filtration (Micron):
					10 Required
					Engine Family: B, C & L
					Series
<input type="checkbox"/>	1	3970911	Water Sensor	1	Water In Fuel Sensor
<input type="checkbox"/>	2	3971758	Wiring Harness	1	
<input type="checkbox"/>	3	3971759	Wiring Harness	1	